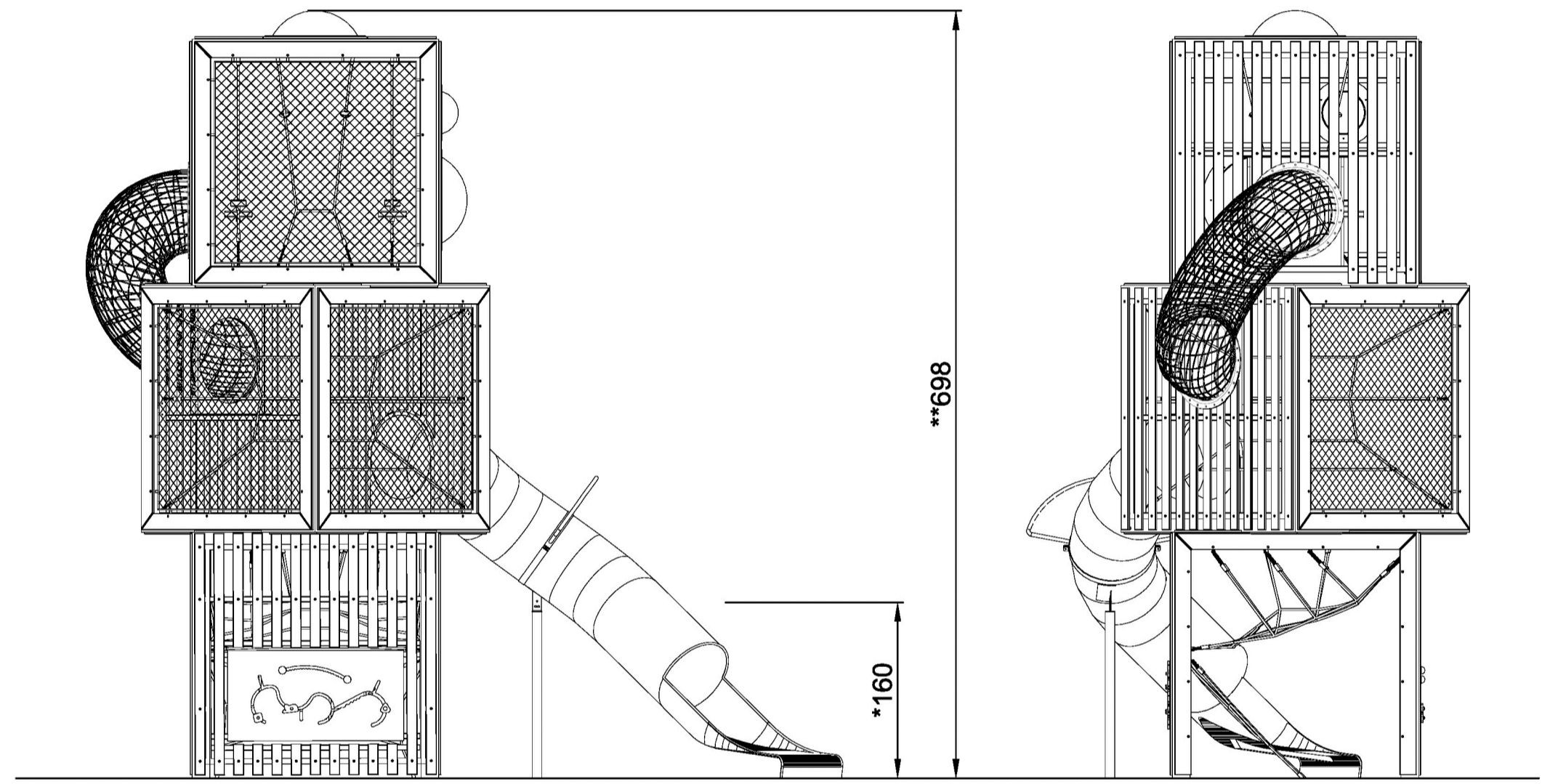
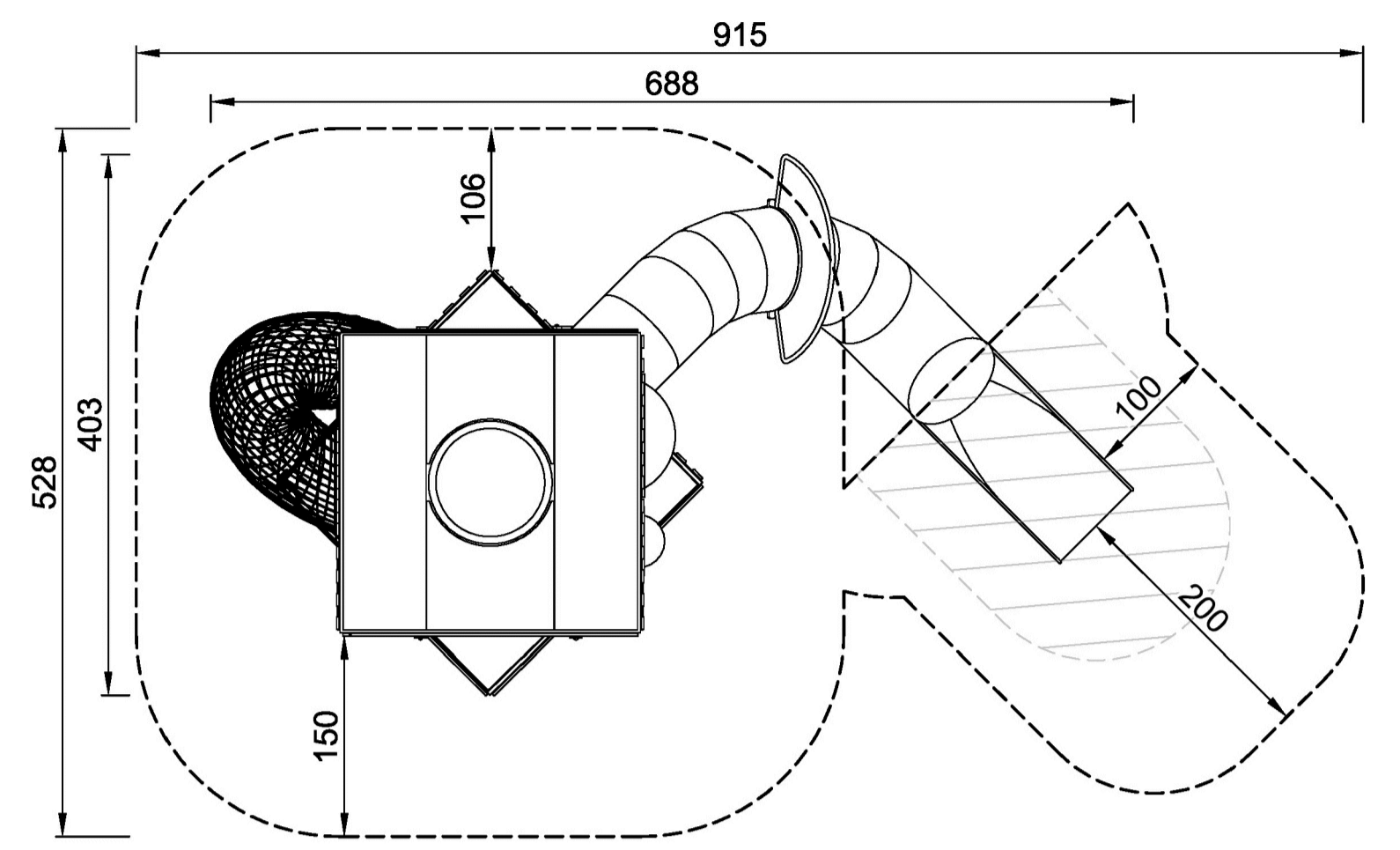
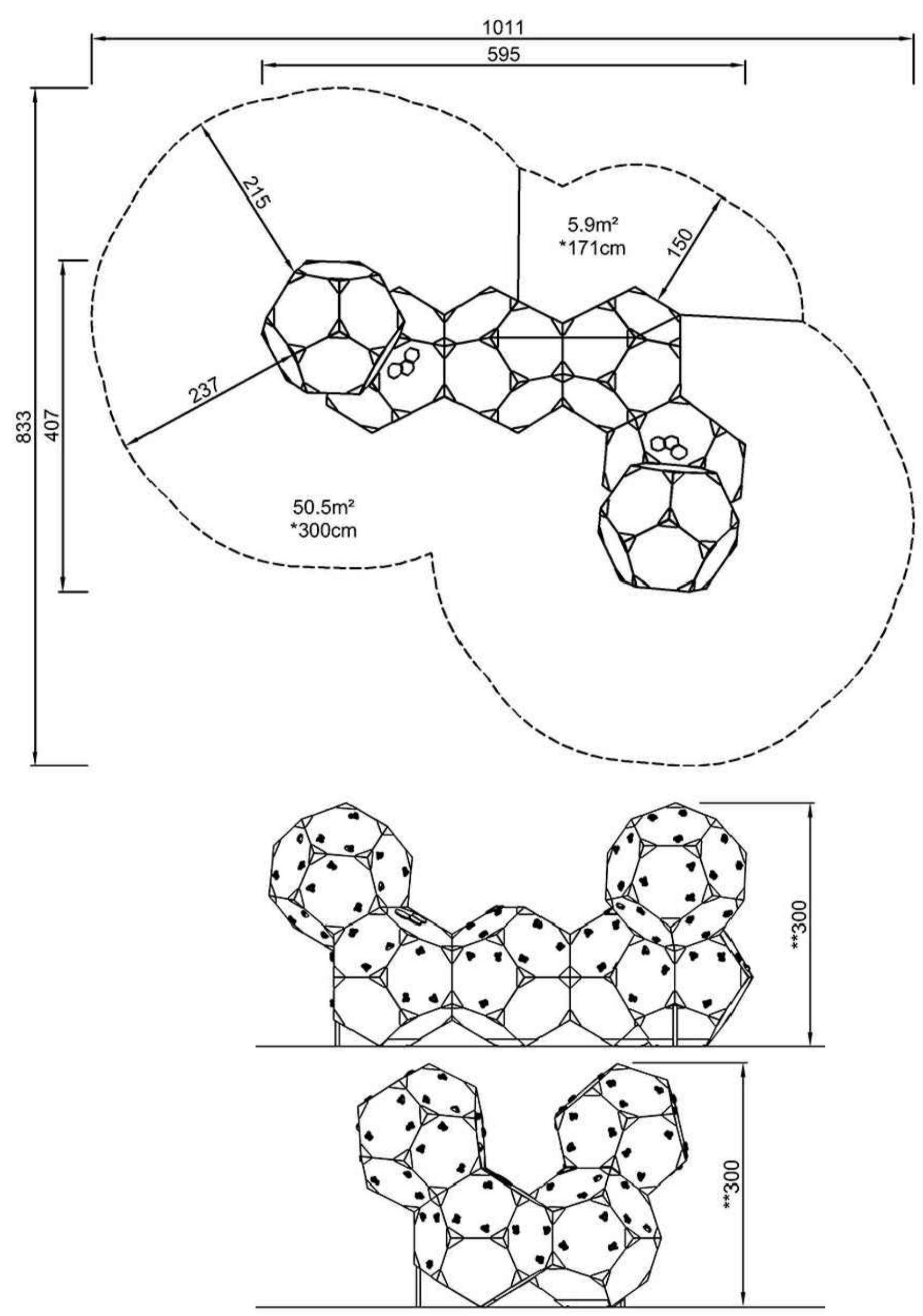


NOTE  
 ALL DIMENSIONS TO BE CHECKED ON SITE  
 NO DIMENSIONS TO BE SCALED FROM THIS DRAWING  
 THIS DRAWING IS TO BE READ IN CONJUNCTION WITH  
 RELEVANT CONSULTANTS DRAWINGS  
 NO PART OF THIS DOCUMENT MAY BE REPRODUCED OR  
 TRANSMITTED IN ANY FORM OR STORED IN ANY RETRIEVAL  
 SYSTEM OF ANY NATURE WITHOUT THE WRITTEN PERMISSION  
 OF THE LANDSCAPE ARCHITECT AS COPYRIGHT HOLDER EXCEPT  
 AS AGREED FOR USE ON THE PROJECT FOR WHICH THE  
 DOCUMENT WAS ORIGINALLY ISSUED.  
 FOR DRAWING INDEX, GENERAL NOTES, REFER TO  
 DWG L1-001

CLIENT:  
**Sandyford Environmental Construction Limited**

ARCHITECTS:  

01 CLIMBING WALL REFERENCE IMAGE



02 CUBE PLAY STRUCTURE WITH SLIDE REFERENCE IMAGE  
 NTS


REVISIONS			
Job No.	18A5A	Drawn By	LB
Dwg No.	T-L1-904	Checked By	JM
Scale	N/A @A1	Date	MARCH 2022

JOB DESCRIPTION	
Site	RAVENS ROCK ROAD
Project	TACK SANDYFORD SHD
Title	PLAY EQUIPMENT